

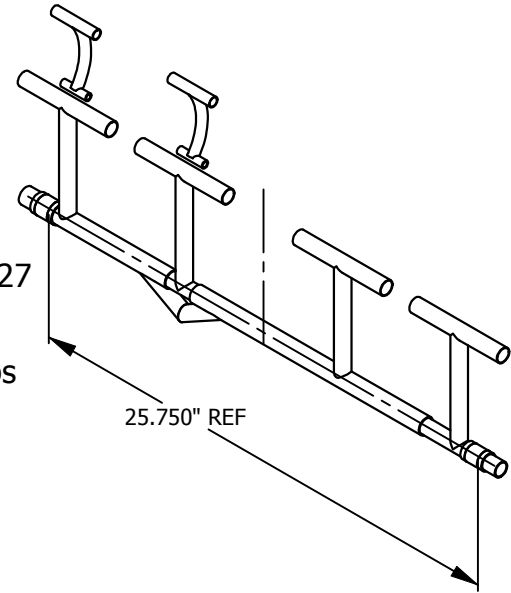
Tube Kit Weld Assembly

Bearhawk (4 place) Fuselage Accessories

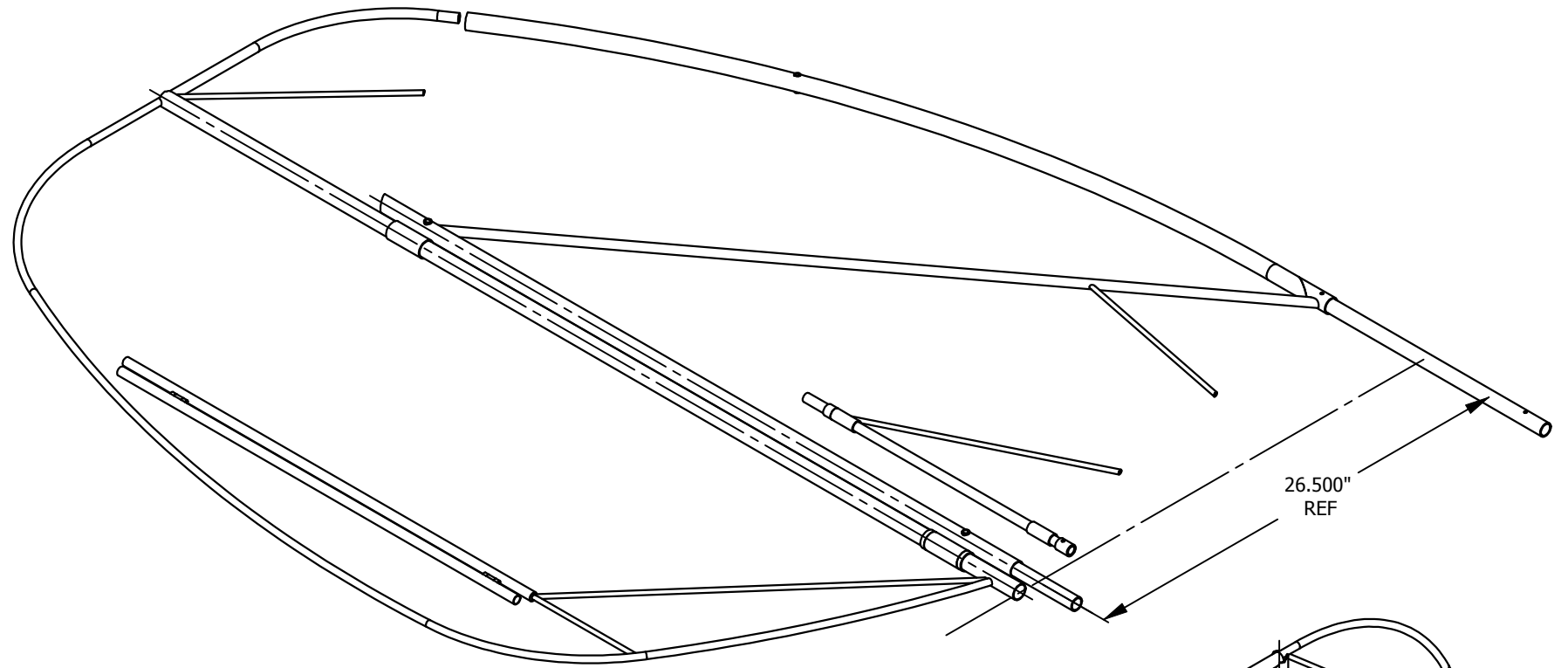
Total No Pieces: 140

Kits include tube parts only; no flat or formed sheet pieces.
Leading and trailing edges are roll formed ready for weld assembly with minor fitting.

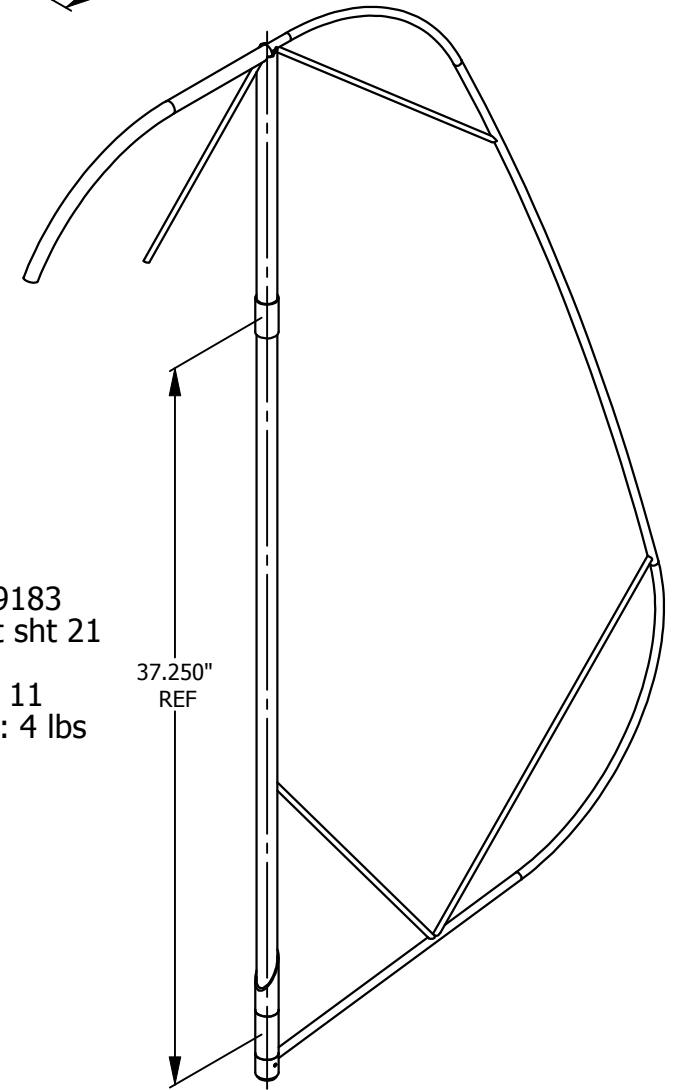
VR3 Part no 39081
REF: R&B Aircraft sht 27
Rudder Pedals
No of pieces: 25
Tube Kit Weight: 4 lbs



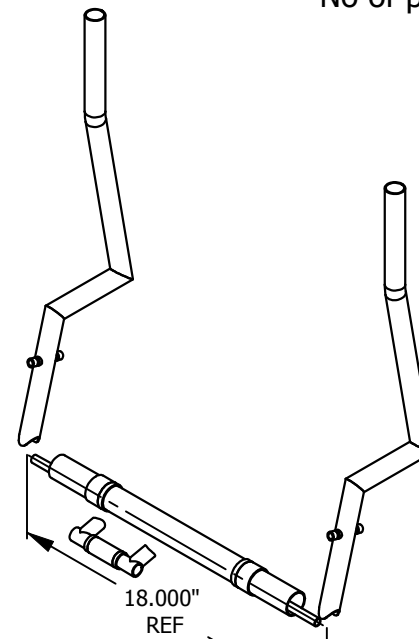
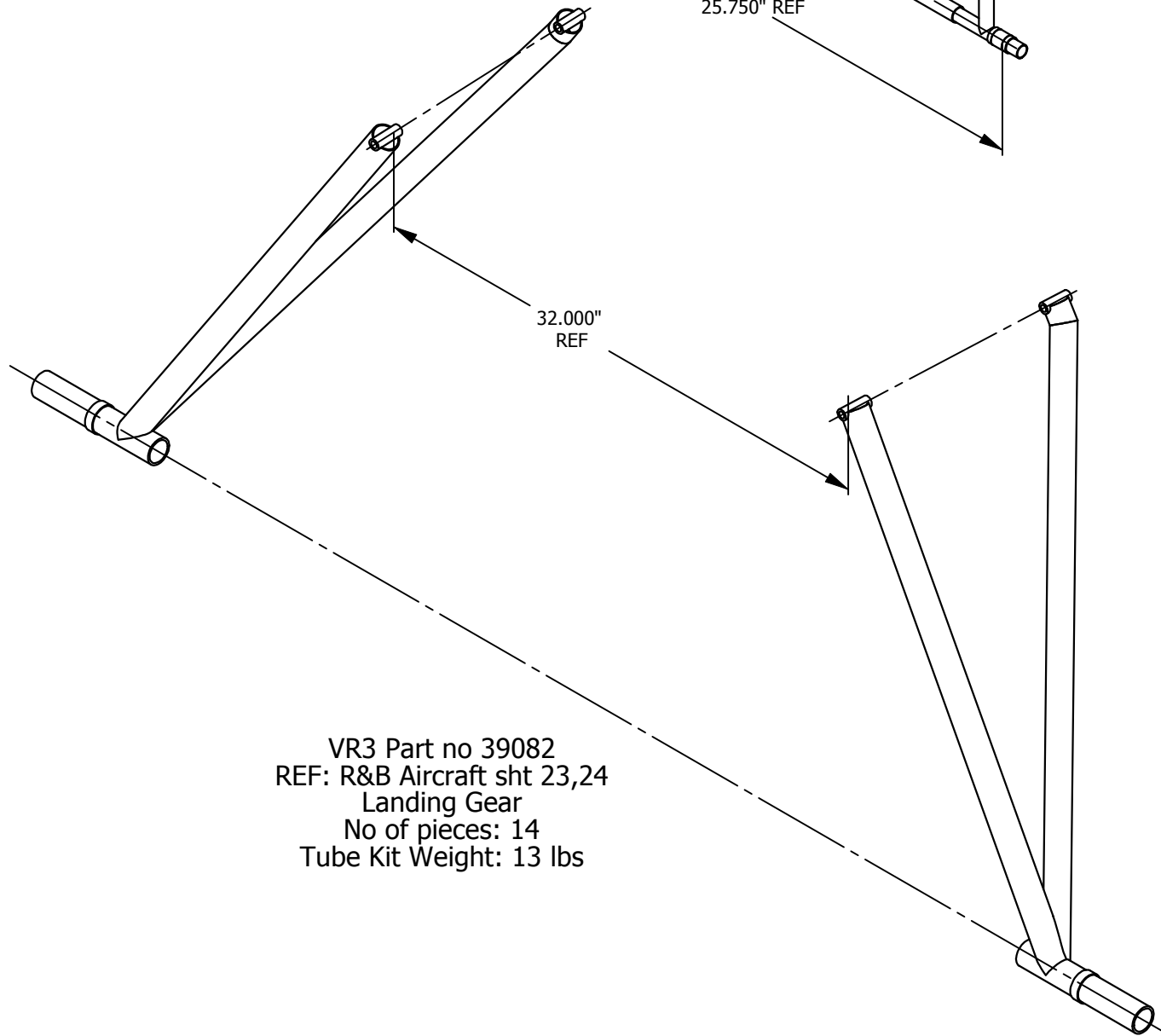
VR3 Part no 39079
REF: R&B Aircraft sht 20
(Right side shown, Left side mirrored copy)
Elevator & Horizontal Stabilizers
No of pieces (both sides included): 66
Tube Kit Weight: 18 lbs



VR3 Part no 39183
REF: R&B Aircraft sht 21
Rudder
No of pieces: 11
Tube Kit Weight: 4 lbs



VR3 Part no 39082
REF: R&B Aircraft sht 23,24
Landing Gear
No of pieces: 14
Tube Kit Weight: 13 lbs



VR3 Part no 39080
REF: R&B Aircraft sht 26
Control Stick
No of pieces: 24
Tube Kit Weight: 3 lbs