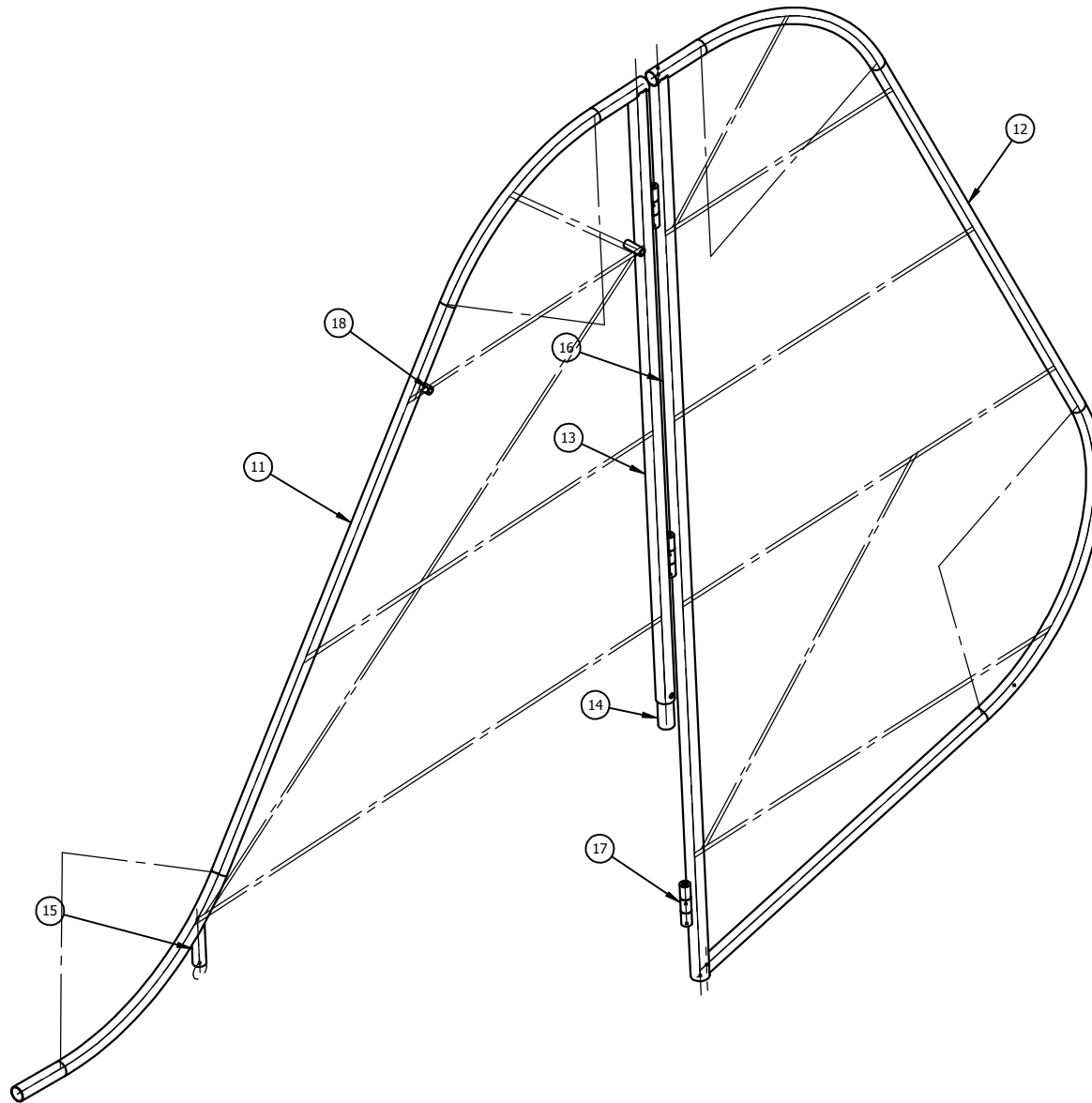


ITEM NO.	PARTNUMBER	QTY.	Description
11	39141-011	1	Tube 0.750 x 0.035
12	39141-012	1	Tube 0.750 x 0.035
13	39141-013	1	Tube 0.875 x 0.049
14	39141-014	1	Tube 0.750 x 0.049
15	39141-015	1	Tube 0.625 x 0.035
16	39141-016	1	Tube 0.875 x 0.049
17	39141-017	9	Tube 0.500 x 0.120
18	39141-018	2	Tube 0.375 x 0.065



NOTES:

1. THIS IS NOT A DESIGN DRAWING. THIS IS A MANUFACTURING DRAWING INTENDED TO ASSIST WELD ASSEMBLY OF A VR3 PROFILED TUBE KIT.
2. REFERENCE DATA:
TUBE MATERIAL WEIGHT: 7 LBS
NO OF TUBES / SET: 17 PCS
3. ROLLED AND FORMED TUBES REQUIRE END TRIMMING TO SUIT
4. TUBING MATERIALS ARE 4130N AIRCRAFT QUALITY TUBING UNLESS OTHERWISE INDICATED.

REV#	DATE	DRAWN	APPRVD	DESCRIPTION
VR3 ENGINEERING LTD MECHANICAL ENGINEERING & CUSTOM MACHINE DESIGN STRATFORD, ONTARIO, CANADA THIS DRAWING OR THE INFORMATION CONTAINED HEREIN MAY NOT BE REPRODUCED WITHOUT PERMISSION FROM VR3 ENGINEERING				
VERTICAL STABILIZER & RUDDER WELDMENT: TUBE KIT				
SWICK T				
ISOMETRIC VIEW				
DRAWN: JJ	DATE: APR 28 08	PROJECT NO.	DRAWING NO.	REV NO.
C' SCALE: 1:5		892-08	39141-01	X